

NO IDLE ARCTIC BREEZE TRUCK A/C SYSTEM

12VDC/24VDC

TRUCK • HEAVY EQUIPMENT

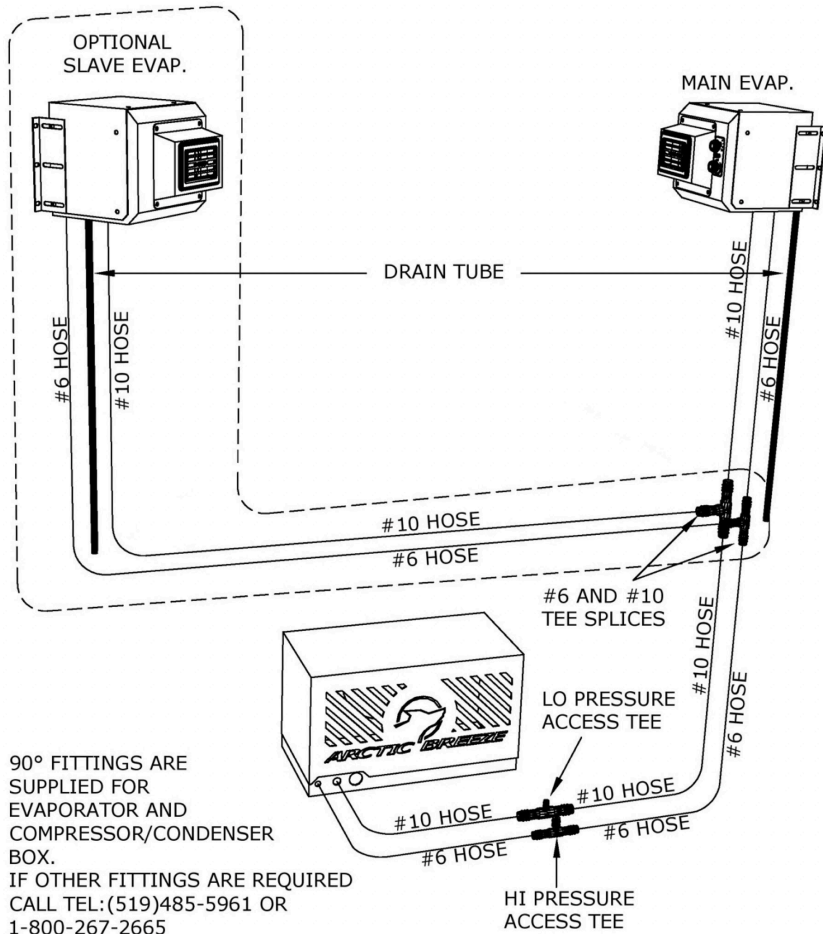
The 12VDC/24VDC Arctic Breeze Truck A/C System lets you stay cool while not idling your engine, saving you money on fuel, maintenance, and machine hours. Utilizes standard automotive A/C components for ease of serviceability.

The condenser/compressor box is made from 1/8" aluminum and can be mounted directly behind the cab or hung off the frame rails with the brackets provided. The standard set-up requires 27 1/4" of

frame rail space and extends 19 1/2" from the frame. An optional space saving design utilizes 16" of frame rail space and extends 26 1/2" out from the frame. It features a removable lid for easy access to all the components. The condenser utilizes 2 power fans to better dissipate the heat, and the evaporator assembly incorporates a highly efficient blower to provide more air circulation in the cab/sleeper. The evaporator can be mounted on a shelf, directly on the back wall of the cab, or in a storage compartment (sleeper applications).



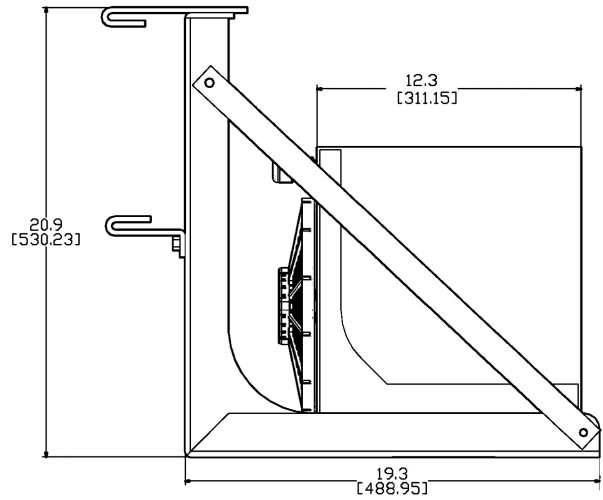
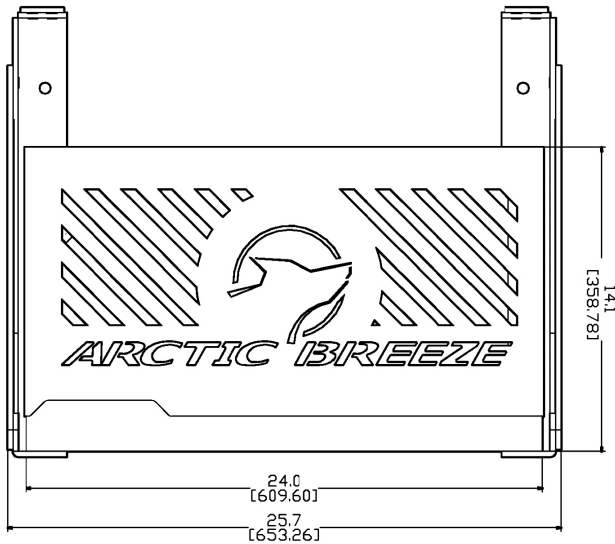
12VDC TRUCK UNIT A/C HOSE PLUMBING



NO IDLE ARCTIC BREEZE TRUCK A/C SYSTEM

12V/24VDC

TRUCK • HEAVY EQUIPMENT



PART NO.

- HA-12VDC-SD**Single Evaporator
- HA-12VDC-SDDC**Single Day Cab Evaporator
- HA-12VDC-DD**Dual Evaporator (Studio Sleeper)

SPECIFICATIONS

- Airflow 306 CFM
- Capacity 8,000 BTU/Hr Cooling
10,000 BTU/Hr with Dual Evap
- Current Draw (max) 45 amps @ 12VDC
- Current Draw (average) 29 amps @ 12VDC

- Minimum Alternator 180 amp
- Frame Space Required 27.24"
- Frame Space Required (alternate) 16"
- Total System Weight 200 lbs
- Refrigerant R-134a

OPTIONS

- HA-1200-2A Battery Box with Hardware (holds 2 group 31 batteries)
- 520-1206-HDW Narrow Frame Rail Kit
- 520-12VDC-2102A ... Slave Evaporator with hoses
- 24VDC options available upon request
- Heat Options Available

SERVICE PARTS

Part No.

- HA-12VDC-EVMS 12V Evaporator Assembly with Miscellaneous Parts
- 520-5072A Compressor, 12VDC
- 415-1000 Motor 0.5HP, 12VDC, 50amp
- 520-12VDC-210SP 12VDC Evaporator Assembly
See separate parts breakdown
- 420-908A Condenser Coil

Part No.

- 430-040-DFW 10" Condenser Fans, 12VDC
- K TRUCK COND-2 12VDC Dual Fan Condenser/Compressor Assembly
- HA-1201 Frame Rails
- 523-037-9 Receiver Drier
- 412-154 Binary Switch
- 4L-200W Belt

EVAPORATOR — WALL MOUNT

520-12VDC-210DC

UNIVERSAL • TRUCKS

Steel small single blower A/C only evaporator assembly with standoff bracket and directional louver plate.

**Not Sure What To Order?
We Can Help . . .**

**See the A/C System
Configuration Worksheet
on the last page of this catalog.**

<https://www.hammondac.com>

800-267-2665



PART NO.

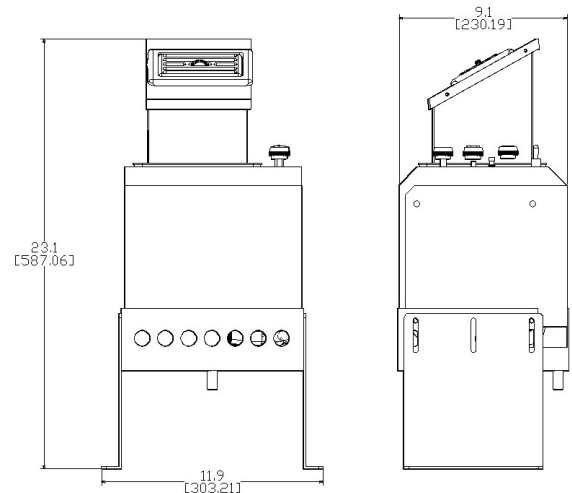
520-12VDC-210DC 12VDC

SHIPPING NOTICE

This unit can be shipped by UPS or LTL.

SPECIFICATIONS

Air Flow.....306 CFM
Capacity.....14,000 BTU
Current Draw 10 amps @ 12VDC5 amps @ 24VDC
Weight 15 LBS
CoilAluminum
Dimensions..... 11.9" L x 9.1" W x 23.1" H
MotorLow / Med / High 3 Speed Scroll Blower



OPTIONS • 24V Available upon request

SERVICE PARTS

Part No.

411-300-100.....Evaporator Coil Assembly
514-410Expansion Valve
401-864A.....Blower Assembly, 12VDC
111-051Rotary Thermostat
411-110Louver

Part No.

412-102 4 Position Switch
411-064Snowflake Knob
411-058Fan Control Knob
314-004-154..... Main Wiring Harness
318-002-241 Wiring Harness