

## NO IDLE ARCTIC BREEZE SPLIT A/C SYSTEM

12VDC/24VDC

### TRUCK • HEAVY EQUIPMENT

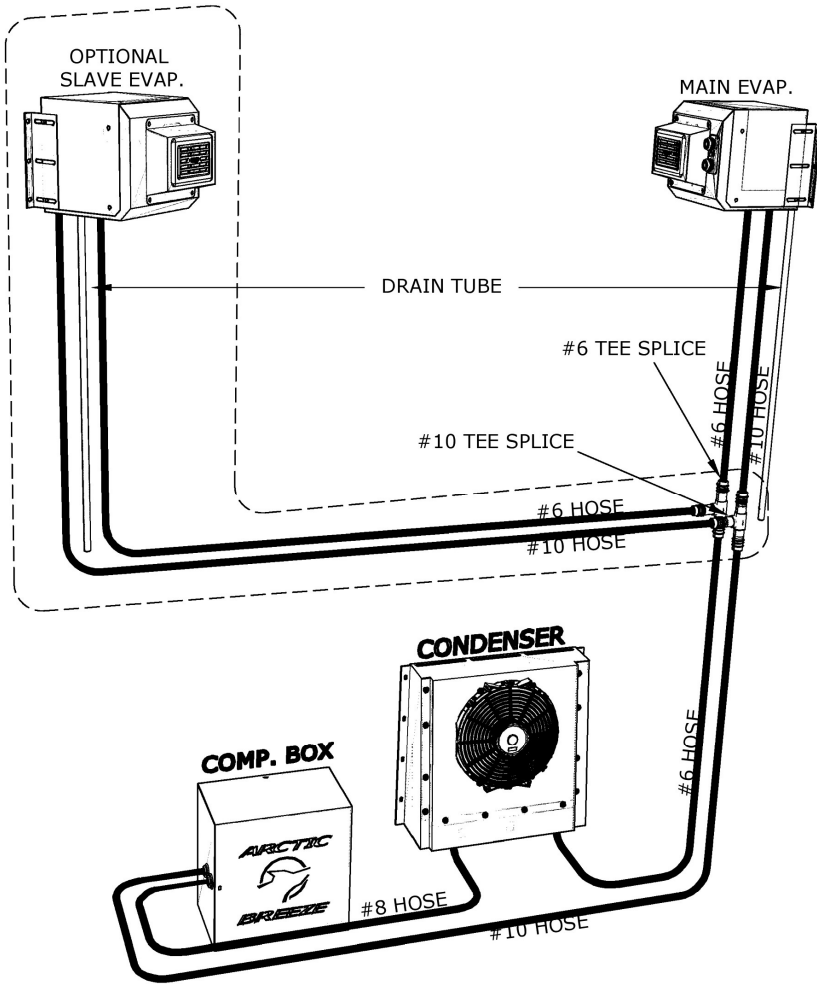
The 12VDC/24VDC Arctic Breeze Truck A/C Split System lets you stay cool while not idling your engine, saving you money on fuel, maintenance, and machine hours. Utilizes standard automotive A/C components for ease of serviceability.

This variation of our original 12VDC/24VDC No Idle Arctic Breeze A/C System is perfect for trucks and heavy equipment that don't have the space to mount the condenser/compressor box. This

system utilizes a compressor/motor box that can be mounted inside the bunk of your cab, beneath the bed or anywhere there is space on your heavy equipment. A remote power condenser can be mounted on the back of a cab. Mounting locations are flexible for your specific needs. It features a removable lid for easy access to all the components. The condenser utilizes a power fan to better dissipate the heat, and the evaporator assembly incorporates a highly efficient blower to provide more air circulation in the cab/sleeper.



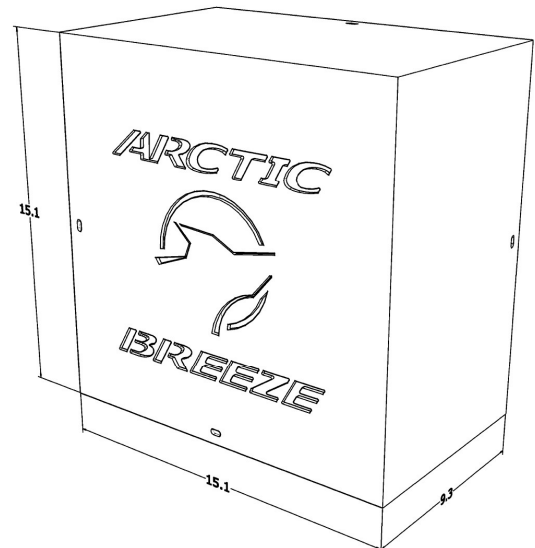
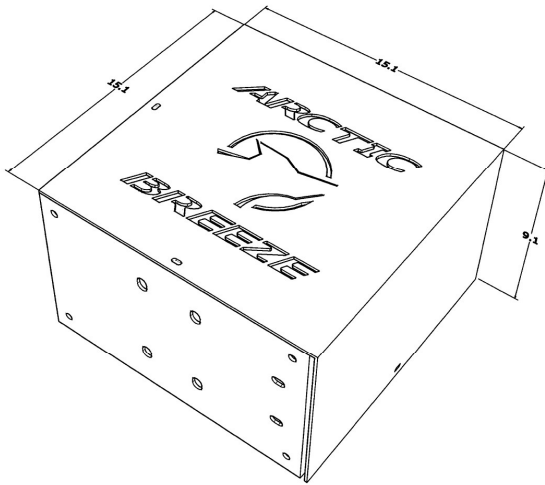
## 12VDC SPLIT A/C HOSE PLUMBING DIAGRAM



## NO IDLE ARCTIC BREEZE SPLIT A/C SYSTEM

12V/24VDC

TRUCK • HEAVY EQUIPMENT



### PART NO.

**HA-12VDC-SPLIT** .....Single Evaporator, Horizontal Compressor Box

**HA-12VDC-SPLIT-V** .....Single Evaporator, Vertical Compressor Box

**HA-12VDC-SPLITDC** .....Single Day Cab Evaporator, Horizontal Compressor Box

### SPECIFICATIONS

Airflow .....	306 CFM
Capacity.....	8,000 BTU/Hr Cooling
	10,000 BTU/Hr with Dual Evap
Current Draw (max).....	45 amps @ 12VDC
Current Draw (average).....	29 amps @ 12VDC

Minimum Alternator .....	180 amp
Total System Weight .....	200 lbs
Refrigerant.....	R-134a

### OPTIONS

- HA-1200-2A.....Battery Box with Hardware (holds 2 group 31 batteries)
- 520-12VDC-2102A....Slave Evaporator with hoses

- 24V Options available Upon Request
- Heat Options Available

### SERVICE PARTS

#### Part No.

HA-12VDC-210SP .....	12VDC Evaporator Assembly
	See separate parts breakdown
K TRUCK COND SPLIT .....	12VDC Split Cond Assy
	See separate parts breakdown
520-5077SD-A .....	Compressor, 12VDC

#### Part No.

415-1002 .....	Motor 0.5HP, 12VDC, 50amp
AM-23 .....	Belt
412-154 .....	Binary Switch
430-104 .....	Compressor Cooling Fan

## CONDENSER — WALL MOUNT

## K TCK COND SPLIT

UNIVERSAL • HIGHWAY TRUCKS

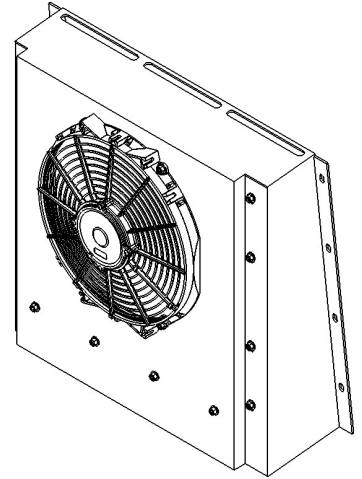
4 row copper/aluminum coil with diamond plate aluminum shroud and one 11" power fan and drier.

**Not Sure What To Order?  
We Can Help . . .**

**See the A/C System  
Configuration Worksheet  
on the last page of this catalog.**

<https://www.hammondac.com>

**800-267-2665**



### PART NO.

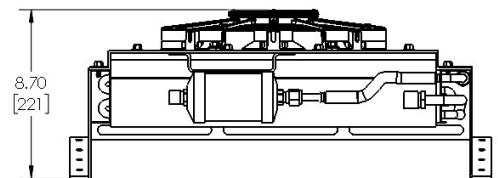
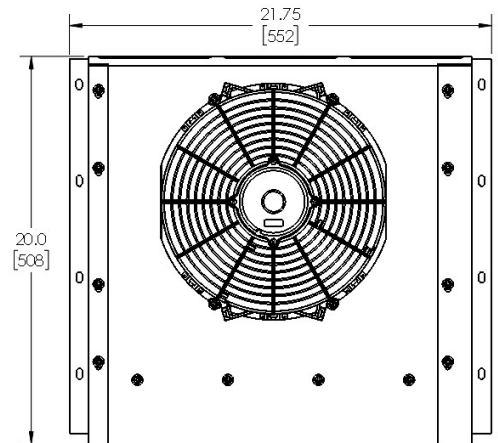
**K TCK COND SPLIT** ..... 12VDC

### SHIPPING NOTICE

This unit can be shipped by UPS or LTL.

### SPECIFICATIONS

Air Flow.....932 CFM  
Capacity.....28,000 BTU/hr  
Current Draw .....9 amps @ 12VDC  
Weight .....30 LBS  
Condenser Coil .....Copper Tubing Aluminum Fin  
Dimensions.....21.75" L x 20" W x 8.70" H  
Motor .....11" Condenser Fan



- OPTIONS**
- 24VDC Available upon request
  - Stainless Steel Shroud

### SERVICE PARTS

**Part No.**

420-909 .....Condenser Coil  
430-002 .....11" Power Fan - 12VDC Puller  
523-450-7 .....Receiver Drier

## EVAPORATOR — WALL MOUNT

### 520-12VDC-210DC

UNIVERSAL • TRUCKS

Steel small single blower A/C only evaporator assembly with standoff bracket and directional louver plate.

**Not Sure What To Order?  
We Can Help . . .**

**See the A/C System  
Configuration Worksheet  
on the last page of this catalog.**

<https://www.hammondac.com>

**800-267-2665**



#### **PART NO.**

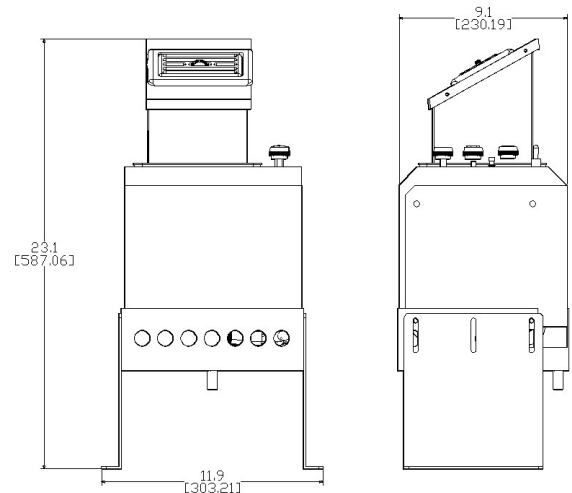
**520-12VDC-210DC** ..... 12VDC

#### **SHIPPING NOTICE**

This unit can be shipped by UPS or LTL.

#### **SPECIFICATIONS**

Air Flow.....306 CFM  
Capacity.....14,000 BTU  
Current Draw ..... 10 amps @ 12VDC .....5 amps @ 24VDC  
Weight ..... 15 LBS  
Coil .....Aluminum  
Dimensions..... 11.9" L x 9.1" W x 23.1" H  
Motor .....Low / Med / High 3 Speed Scroll Blower



**OPTIONS** • 24V Available upon request

#### **SERVICE PARTS**

##### **Part No.**

411-300-100.....Evaporator Coil Assembly  
514-410 .....Expansion Valve  
401-864A.....Blower Assembly, 12VDC  
111-051 .....Rotary Thermostat  
411-110 .....Louver

##### **Part No.**

412-102 ..... 4 Position Switch  
411-064 .....Snowflake Knob  
411-058 .....Fan Control Knob  
314-004-154..... Main Wiring Harness  
318-002-241 ..... Wiring Harness