

## NO IDLE ARCTIC BREEZE SPLIT A/C SYSTEM

12VDC/24VDC

### TRUCK • HEAVY EQUIPMENT

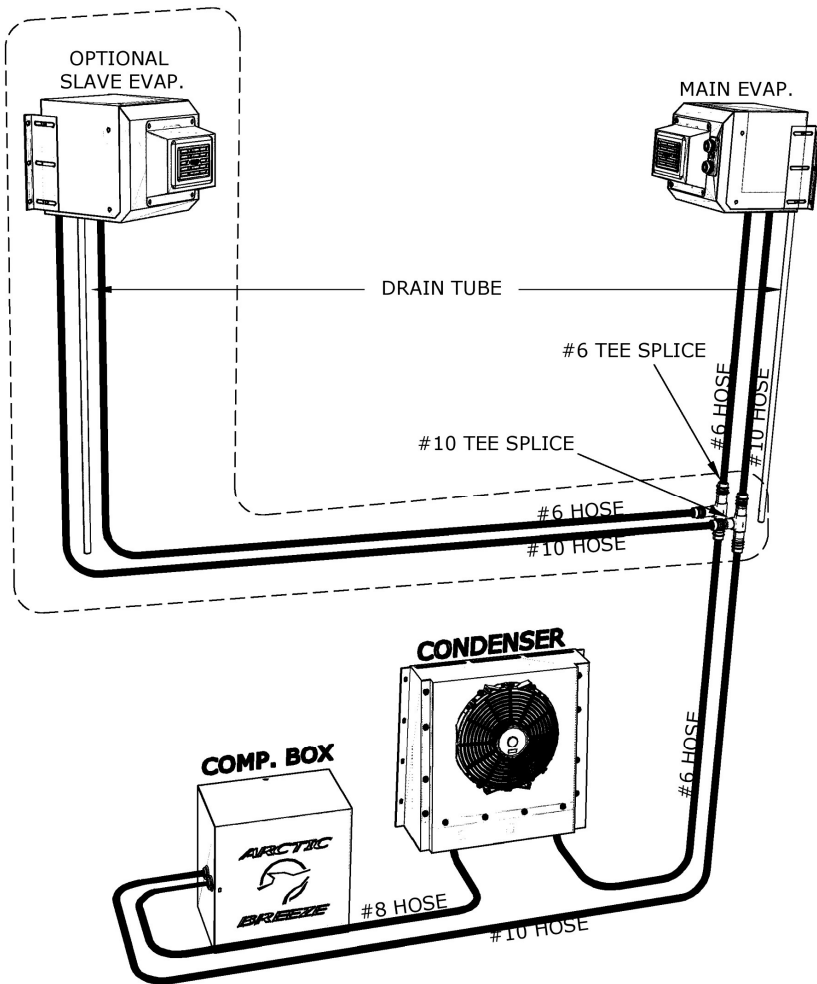
The 12VDC/24VDC Arctic Breeze Truck A/C Split System lets you stay cool while not idling your engine, saving you money on fuel, maintenance, and machine hours. Utilizes standard automotive A/C components for ease of serviceability.

This variation of our original 12VDC/24VDC No Idle Arctic Breeze A/C System is perfect for trucks and heavy equipment that don't have the space to mount the condenser/compressor box. This

system utilizes a compressor/motor box that can be mounted inside the bunk of your cab, beneath the bed or anywhere there is space on your heavy equipment. A remote power condenser can be mounted on the back of a cab. Mounting locations are flexible for your specific needs. It features a removable lid for easy access to all the components. The condenser utilizes a power fan to better dissipate the heat, and the evaporator assembly incorporates a highly efficient blower to provide more air circulation in the cab/sleeper.



## 12VDC SPLIT A/C HOSE PLUMBING DIAGRAM





**CONDENSER — WALL MOUNT**

**K TCK COND SPLIT**

UNIVERSAL • HIGHWAY TRUCKS

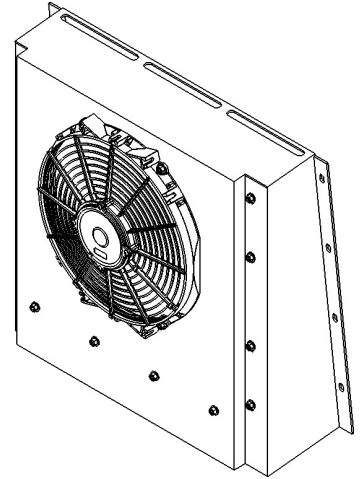
4 row copper/aluminum coil with diamond plate aluminum shroud and one 11" power fan and drier.

**Not Sure What To Order?  
We Can Help . . .**

**See the A/C System  
Configuration Worksheet  
on the last page of this catalog.**

<https://www.hammondac.com>

**800-267-2665**



**PART NO.**

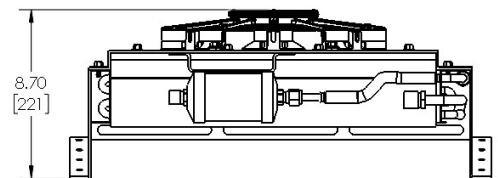
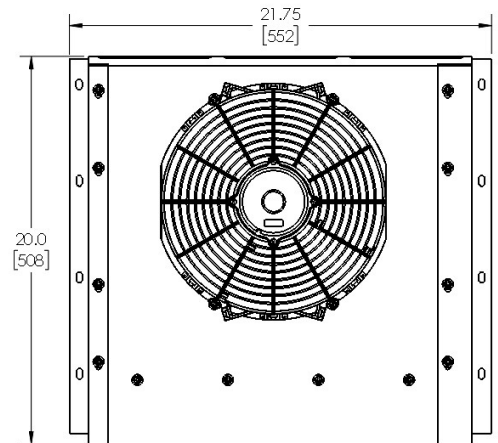
**K TCK COND SPLIT** ..... 12VDC

**SHIPPING NOTICE**

This unit can be shipped by UPS or LTL.

**SPECIFICATIONS**

Air Flow.....932 CFM  
Capacity.....28,000 BTU/hr  
Current Draw .....9 amps @ 12VDC  
Weight .....30 LBS  
Condenser Coil .....Copper Tubing Aluminum Fin  
Dimensions.....21.75" L x 20" W x 8.70" H  
Motor .....11" Condenser Fan



- OPTIONS**
- 24VDC Available upon request
  - Stainless Steel Shroud

**SERVICE PARTS**

**Part No.**

420-909 .....Condenser Coil  
430-002 .....11" Power Fan - 12VDC Puller  
523-450-7 .....Receiver Drier

# EVAPORATOR — WALL MOUNT

# 520-12VDC-210SP

UNIVERSAL • TRUCKS

Steel small single blower A/C only evaporator assembly.

**Not Sure What To Order?  
We Can Help . . .**

**See the A/C System  
Configuration Worksheet  
on the last page of this catalog.**

<https://www.hammondac.com>

800-267-2665

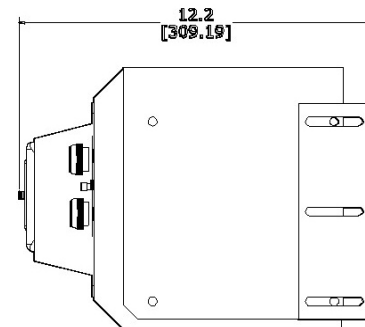
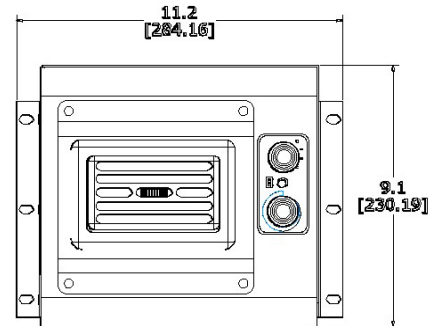


**PART NO.**

**520-12VDC-210SP** .....12VDC

**SHIPPING NOTICE**

This unit can be shipped by UPS or LTL.



**SPECIFICATIONS**

- Air Flow.....306 CFM
- Capacity.....14,000 BTU
- Current Draw .....10 amps @ 12VDC .....5 amps @ 24VDC
- Weight .....13 LBS
- Coil .....Aluminum
- Dimensions.....12.2" L x 11.2" W x 9.1" H
- Motor .....Low / Med / High 3 Speed Scroll Blower

**OPTIONS** • 24VDC Available upon request

**SERVICE PARTS**

**Part No.**

- 411-300-100.....Evaporator Coil Assembly
- 514-410 .....Expansion Valve
- 401-864A.....Blower Assembly, 12VDC
- 111-051 .....Rotary Thermostat
- 411-110 .....Louver

**Part No.**

- 412-102 .....4 Position Switch
- 411-064 .....Snowflake Knob
- 411-058 .....Fan Control Knob
- 314-004-154.....Main Wiring Harness
- 318-002-241 .....Wiring Harness