

EVAPORATOR — FLOOR MOUNT — BETWEEN THE SEATS

411-300-T30

UNIVERSAL • FORKLIFT

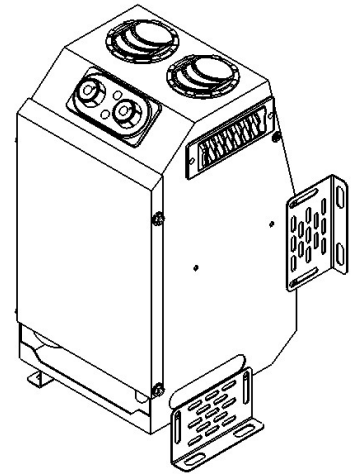
Steel compact floor mount or between the seats heat/cool unit with 4 direction a louvers.

**Not Sure What To Order?
We Can Help . . .**

**See the A/C System
Configuration Worksheet
on the last page of this catalog.**

<https://www.hammondac.com>

800-267-2665



PART NO.

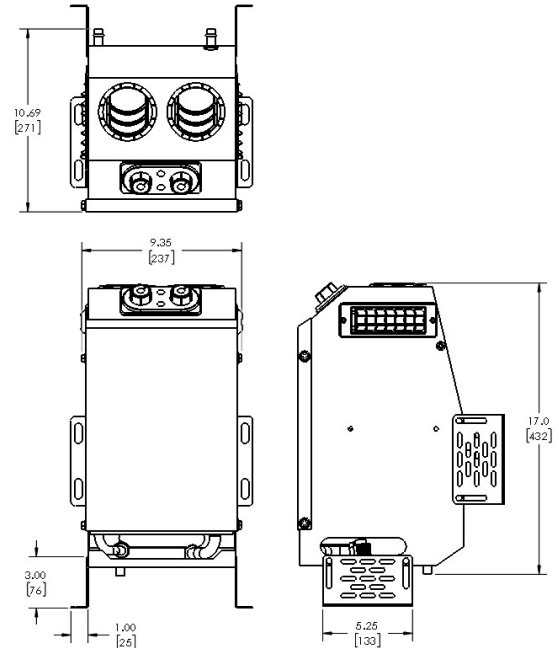
411-300-T30..... 12VDC

SHIPPING NOTICE

This unit can be shipped by UPS or LTL.

SPECIFICATIONS

Air Flow.....290 CFM
 Capacity..... Cooling 15,000 BTU/hr..... Heating 18,000 BTU/hr
 Current Draw 15 amps @ 12VDC7.5 amps @ 24VDC
 Weight35 LBS
 CoilAluminum
 Dimensions..... 10.69" L x 9.35" W x 17" H
 MotorLow / Med / High 3 Speed Scroll Blower



OPTIONS • 24V Available upon request

SERVICE PARTS

Part No.
 411-300Evaporator Coil
 TBD Heater Coil
 514-410Expansion Valve
 401-856Blower, 12VDC
 413-205AThermostat 48" wrapped
 411-842 Louver

Part No.
 411-846 Louver
 412-102 4 Position Switch
 412-983A Pot Switch Assembly
 412-172 Resistor, 12VDC
 411-055 Knob, Plain with line