

CONDENSER — UNIVERSAL

420-855-NEXG
420-855-NEXG-24

UNIVERSAL

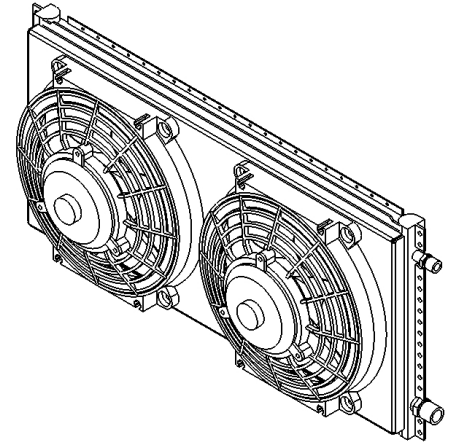
Multiflow condenser with aluminum shroud and two 10" power fans.

**Not Sure What To Order?
We Can Help . . .**

**See the A/C System
Configuration Worksheet
on the last page of this catalog.**

<https://www.hammondac.com>

800-267-2665



PART NO.

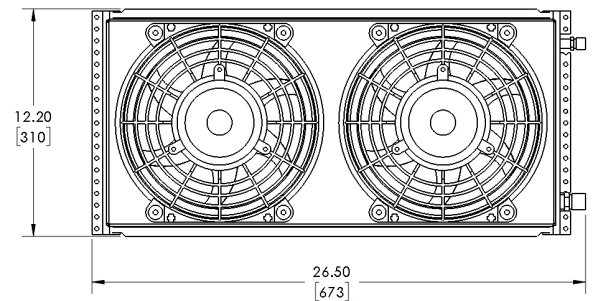
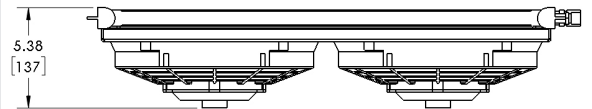
420-855-NEXG 12VDC
420-855-NEXG-24 24VDC

SHIPPING NOTICE

This unit can be shipped by UPS or LTL.

SPECIFICATIONS

Air Flow.....802 CFM
Capacity.....18,000 BTU/hr
Current Draw6 amps @ 12VDC
Weight13 LBS
Dimensions.....26.5" L x 12.20" W x 5.38" H
Condenser CoilAluminum Multiflow
Motor10" Condenser Fans



- OPTIONS**
- Variety of Mounting and Standoff Brackets
 - Steel Shroud

SERVICE PARTS

Part No.

420-855 Condenser Coil
430-040-DFW 10" Power Fan - 12VDC Puller
430-020 10" Power Fan - 24VDC Puller