

CONDENSER — UNIVERSAL

420-860-977-12
420-860-977

CONSTRUCTION • FORESTRY • MINING • UNIVERSAL

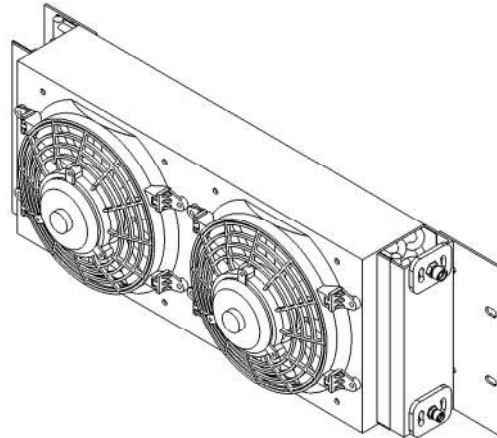
5 row copper/aluminum coil with 12 gauge steel shroud and two 9" power fans.

**Not Sure What To Order?
We Can Help . . .**

**See the A/C System
Configuration Worksheet
on the last page of this catalog.**

<https://www.hammondac.com>

800-267-2665



PART NO.

420-860-977-12.....12VDC

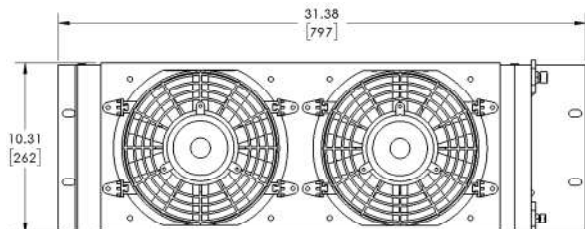
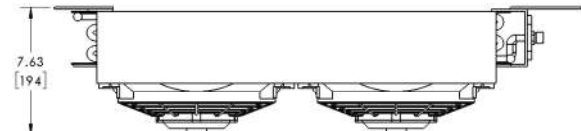
420-860-97724VDC

SHIPPING NOTICE

This unit can be shipped by UPS or LTL.

SPECIFICATIONS

Air Flow..... 1180 CFM
Capacity.....36,000 BTU/hr
Current Draw 12 amps @ 12VDC6 amps @ 24VDC
Condenser CoilCopper Tubing Aluminum Fin
Weight45 LBS
Dimensions.....31.38" L x 10.31" W x 7.63" H
Motor9" Condenser Fans



OPTIONS • 3/16" Shroud

SERVICE PARTS

Part No.

420-860-977-1..... Condenser Coil
430-008 9" Power Fan, 24V Puller
430-039 9" Power Fan, 12V Puller
430-006 Fan Mounting Feet

440-090 #6 Securing Lug
440-091 #8 Securing Lug