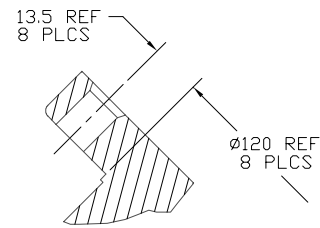
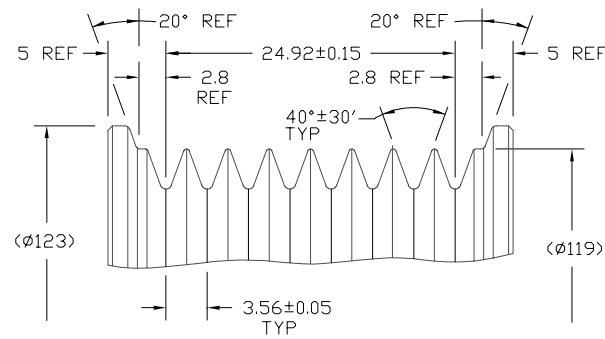


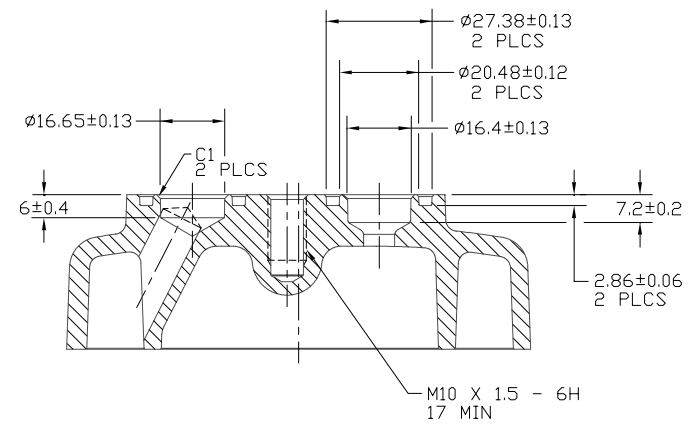
CIRCUIT DIAGRAM



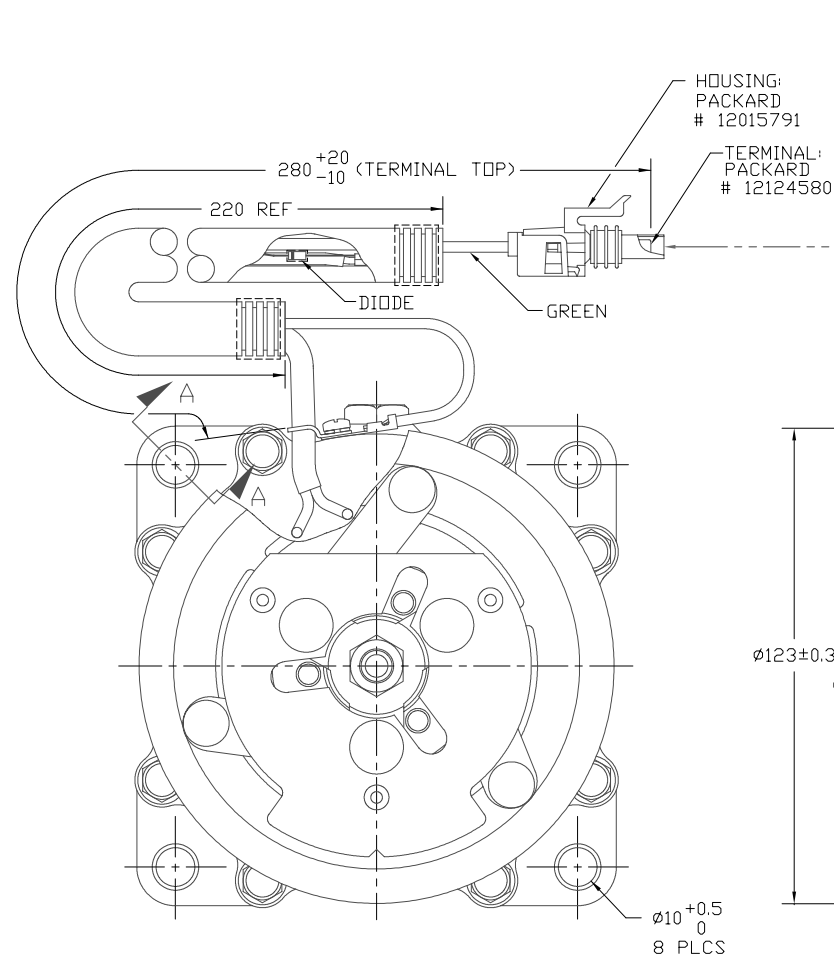
SECTION A-A



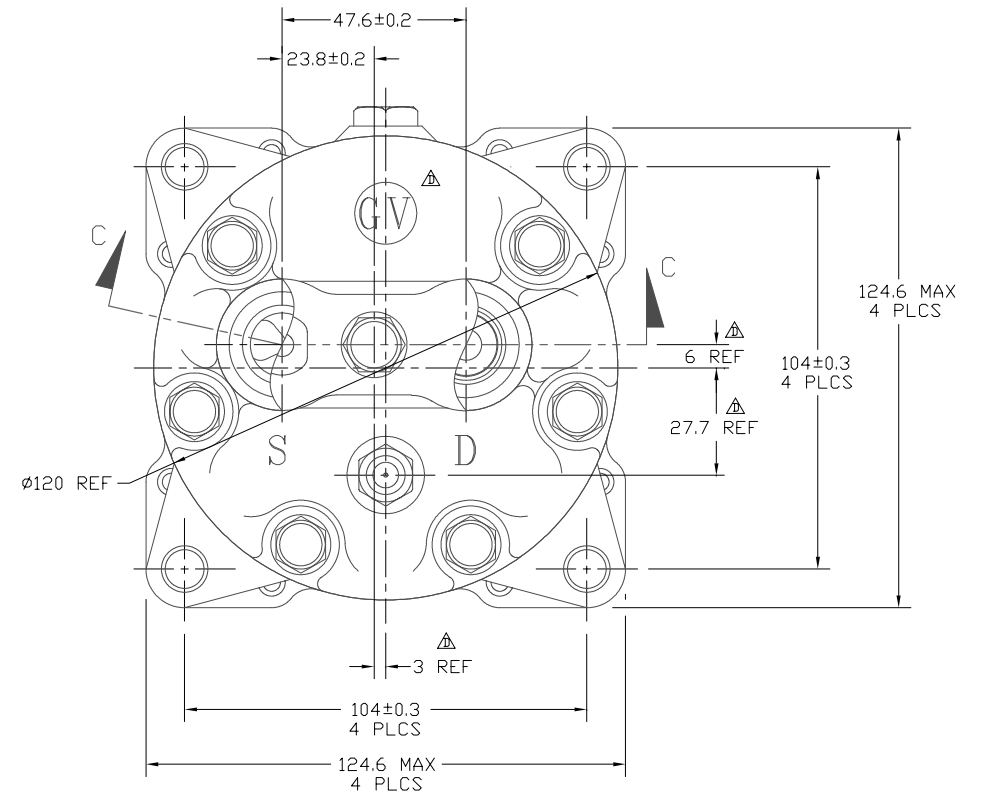
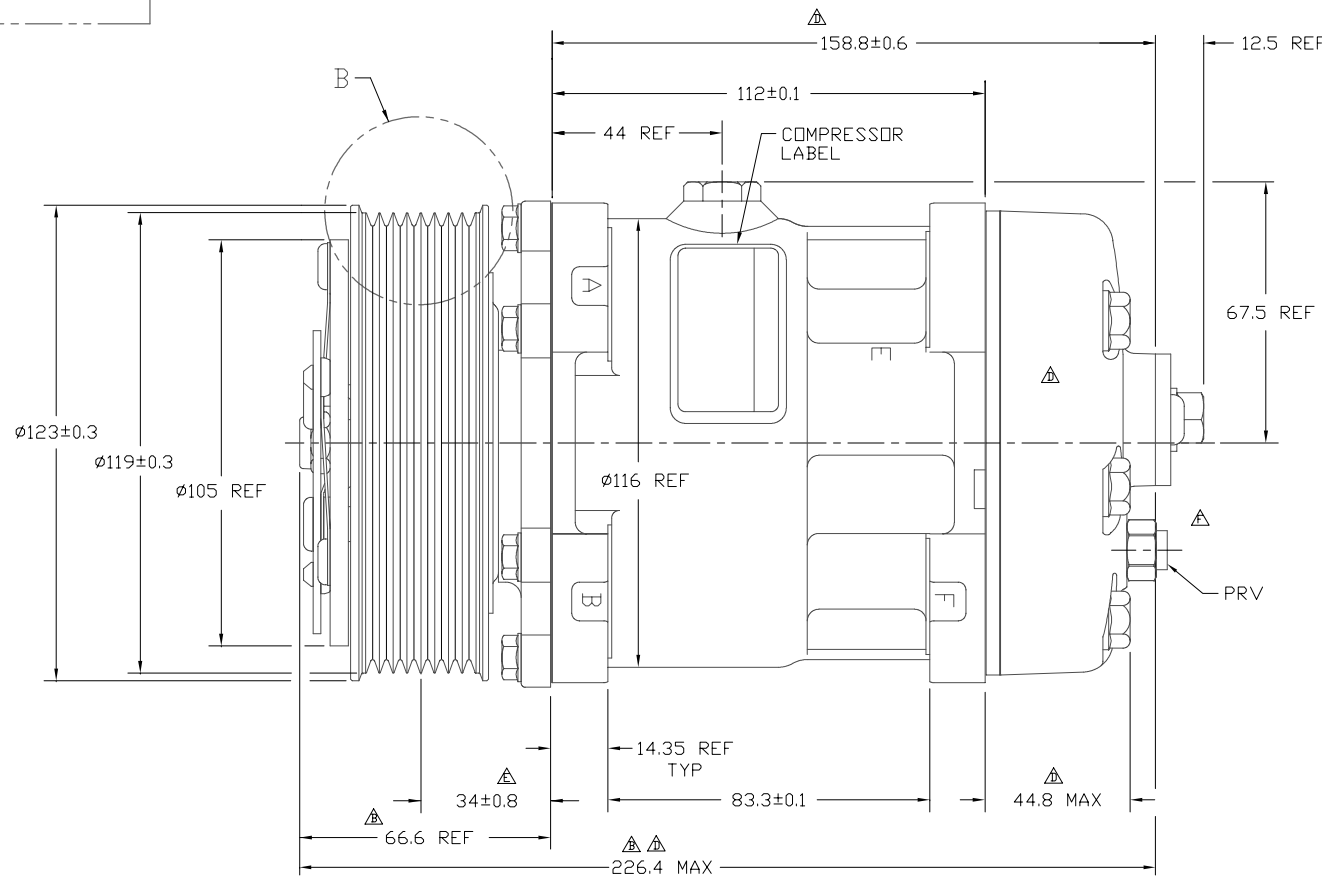
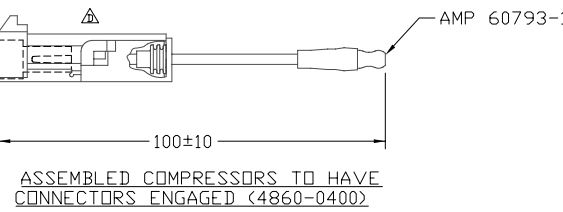
DETAIL B
SCALE - 3:1



SECTION C-C
(SECTION WITH O-RINGS, SHIPPING PAD ASSEMBLY, AND BOLT REMOVED)



CLOCKWISE ROTATION



COMPRESSOR SPECIFICATIONS (REF)

DISPLACEMENT PER REVOLUTION	154.9 cc / rev. (9.5cu.in. / rev.)
MAXIMUM ALLOWABLE SPEED	7000 R.P.M.
MAXIMUM ALLOWABLE CONTINUOUS SPEED	6000 R.P.M.
REFRIGERANT	R134a
OIL (SP-15)	200 cc (6.76 floz.)
WEIGHT	7.6 kg (16.8 lb.)

CLUTCH SPECIFICATIONS (REF)

RATED VOLTAGE	DC 24V
BREAKAWAY TORQUE	3.5 kgf-m min. @ 24V
MINIMUM ENGAGEMENT VOLTAGE	16V @ AIR GAP 0.6mm
POWER CONSUMPTION	34 watts max.
BELT TYPE	PV8 TYPE
MAXIMUM ALLOWABLE BELT TENSION	120 kgf
PULLEY DIAMETER	119mm(4.68 in)
CLUTCH TYPE	STANDARD

NOTE:
1. N₂ HOLDING CHARGE DELETED.

DO NOT SCALE

PCDN	REV.	APPV DATE	REVISIONS	DWN	DSGN	CHK	APPV
			INITIAL RELEASE				
200112		3/26/01	66.6 REF WAS 67 MAX REMOVED 230 MAX, ADDED 215 MAX	DKC	MH	DRL	DS
2001340		11/7/01	OIL SP-15 WAS SP-20	JS	LK	DRL	MY
2002074		3/27/02	REMOVED 'GV' CYLINDER HEAD WITH DIMENSIONS. ADDED 'GV' CYLINDER HEAD WITH DIMENSIONS. CHANGED VIEW OF WIRING ADAPTER 4860-0400 44.8 MAX WAS 33.4 MAX 158.8 ± 0.6 WAS 147.4 ± 0.6 226.4 MAX WAS 215 MAX	JS	MH	DRL	JC
2002175		6/24/02	34 ± 0.8 WAS 34 ± 0.5	JS	MH	DRL	RG
2006310		01/25/07	PRV CHANGE: 4307-6470 WAS 4967-6470	RSR	JW	DRL	RM

REV. LEVEL	RELEASED FOR: ENGG DEVELOPMENT	<p>SANDEN INTERNATIONAL (U.S.A.), INC.</p>	<p>SCALE REF 1:1 PLOTTED SCALE REF NONE METRIC</p>
DWN	DK Clark		
CHK	Dennis Lee	<p>This drawing and the information contained hereon are CONFIDENTIAL and PROPRIETARY to Sanden International (U.S.A.), Inc., are received in CONFIDENCE and shall not be used, copied, or disclosed to others without the written permission of Sanden International (U.S.A.), Inc.</p>	<p>INTERPRETATION OF THIS DRAWING PER ASME Y14.5M-1994</p>
APPV DATE	3/7/01		
REV. LEVEL	RELEASED FOR: DESIGN VALIDATION	<p>THIRD ANGLE PROJECTION</p>	<p>SIZE D</p>
APPV DATE	3/7/01		
REV. LEVEL	RELEASED FOR: PRODUCTION VAL'D.	<p>MATERIAL:</p>	<p>NAME</p>
APPV DATE	3/7/01		
REV. LEVEL	RELEASED FOR: PRODUCTION	<p>COMPRESSOR</p>	<p>DWG. NO. 4866-6000</p>
APPV DATE	6/24/02		
REV. LEVEL	RELEASED FOR: PRODUCTION	<p>REV F</p>	<p>REV F</p>
APPV DATE	6/24/02		